

# ROVV<sup>®</sup>

## Three Eccentric All Metal Bidirectional Butterfly Valve

PRODUCT  
CATALOGUE



ROVV<sup>®</sup>



# EQUIPMENT



## COMPANY INTRODUCTION

SHANGHAI ROGERS VALVE CO. LTD is one of the leading companies specializing in the R&D, design and manufacture of a full range of INDUSTRIAL VALVES made from premium materials, including **Ball valves, Check valves, Butterfly valves, Gate valves, Globe valves, Control valves and a wide range of related accessories.** These products find extensive applications in industries such as petrochemicals, power generation, pharmaceuticals, firefighting and heating, municipal construction, natural gas, water supply, and drainage. The company provides customers with one-stop valve solutions.

Customized design to meet specific needs is a core strength of the company. After years of cultivation, the company has developed strong capabilities in customized design and manufacturing. Extensive research and simulation of operating conditions are conducted to meet the different requirements of valve applications in special scenarios. The products are characterized by high reliability, long service life, easy maintenance, and excellent performance, meeting customer demands for **safety, environmental protection, economy, and stability.** As a result, the company has gained consistent praise and trust from its customers.

While rooted in China, the company has a global outlook. In the context of global competition, ROVV actively participates in domestic and international markets. **By enhancing its technical capabilities and service quality, the company aims to expand its market share and establish the reputation of Chinese valve brands.**



The company focuses on the combination of Chinese craftsmanship and lean quality. **Internally, ROVV has a professional R&D and production team comprising over 80 high and intermediate-level technical personnel. Significant investment has been made to introduce automation equipment.** Externally, the company has adopted advanced manufacturing processes, professional technical experts, and modern management concepts from ROVV Machinery Manufacturing in the United States. By integrating Chinese craftsmanship with an international perspective, the company achieves a highly flexible, composite, and lean manufacturing process, as well as a networked, information-based, and intelligent manufacturing and management process, ensuring product consistency, stability, and lean quality.

Provide customers with one-stop valve solutions.



# CERTIFICATES

Focusing on expertise in a single field, the company has achieved notable recognition. ROVV has obtained certifications such as **ISO 9001 Quality Management System, ISO 14001 Environmental Management System, ISO 45001 Occupational Health and Safety Management System, TS National Special Equipment Production License, API 607 Fire Certification, Russia EAC Certification, SIL Valve Safety Level Certificate, and so on.** The company has also received honors such as AAA Credit Enterprise and National Product and Service Quality Integrity Brand.

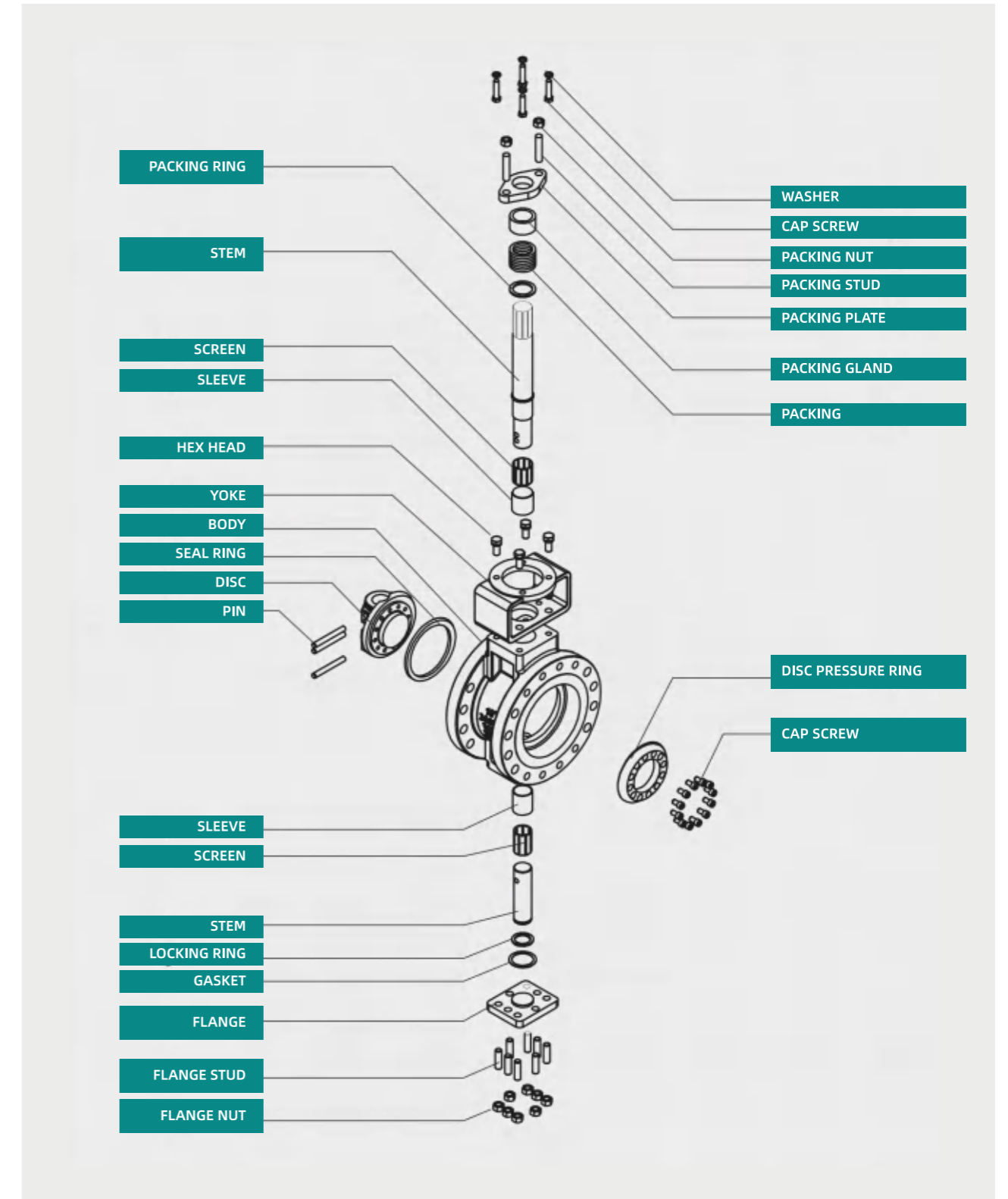


TS National Special Equipment Production License    ISO 9001 Quality Management System    ISO 14001 Environmental Management System    ISO 45001 Occupational Health and Safety Management System



SIL Valve Safety Level Certificate    API 607 Fire Certification    ISO 15848-1 Qualificate Certificate    Russia EAC Certification

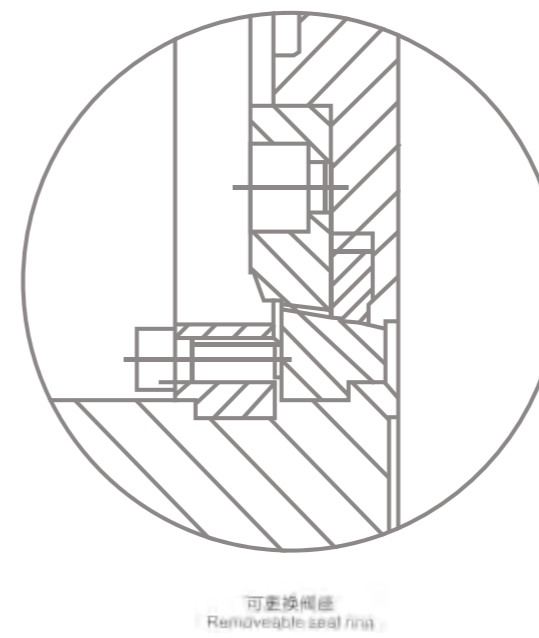
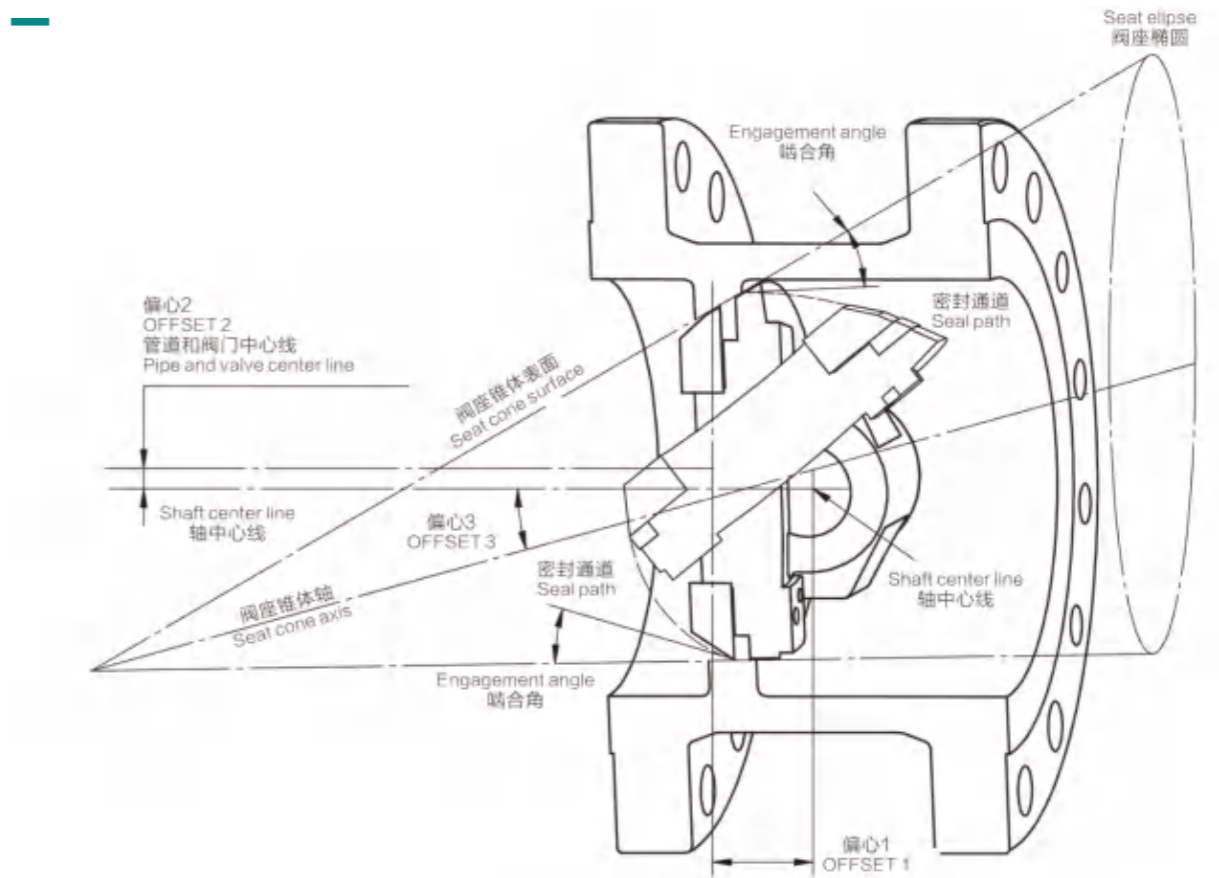
# UNLEASH THE POWER OF HIGH-PERFORMANCE BUTTERFLY VALVES: EXPLORING THE MARVELS OF THEIR STRUCTURAL FEATURES



# TRIPPLE OFFSET HIGH PERFORMANCE BUTTERFLY VALVE MODEL

1	<b>TYPE</b>	D-Butterfly valve
2	<b>Direction</b>	DS-bi-direction,DA-One direction
3	<b>DESIGN</b>	3-tripple offset
4	<b>CONNECTION</b>	4 -Flange, 6-Welded, 7-Wafer, 8- Lug
5	<b>Seal</b>	H-HRC30-45, Y-HRC40-60, WC-HRC70, W-SAME WITH BODY
6	<b>Structure</b>	F-multi-layer with graphite, S-metal to metal sealing
7	<b>PRESSURE</b>	PN10 PN16 PN25 PN40 PN63
8	<b>BODY</b>	C-WCB 34-304 36-316
9	<b>DISC</b>	C-WCB 34-304 36-316
10	<b>SIZE</b>	2"-120"
11	<b>OPERATION</b>	M-handle,O-Bare shaft, P-pneumatic, H-Hydraulic, E- Electric

# MAIN PRODUCTS' FEATURES



## Stem Blow Out Prevention Ring

Prevents stem ejection in the unlikely event internal failure.

## Replaceable Disc Seal

reduces field maintenance costs.

## Live Loading Packing Gland

Standard low emission stem seal with 0-20PPM

live-loading provides predictable and constant packing compression for more than 5000 cycles before adjustment or re-packing.

## Metal-to-Metal Patented Sealing System

Stellite Alloy HRC 40-60°.

## Disc Position indication

Stem end provides fool-proof verification of disc location.

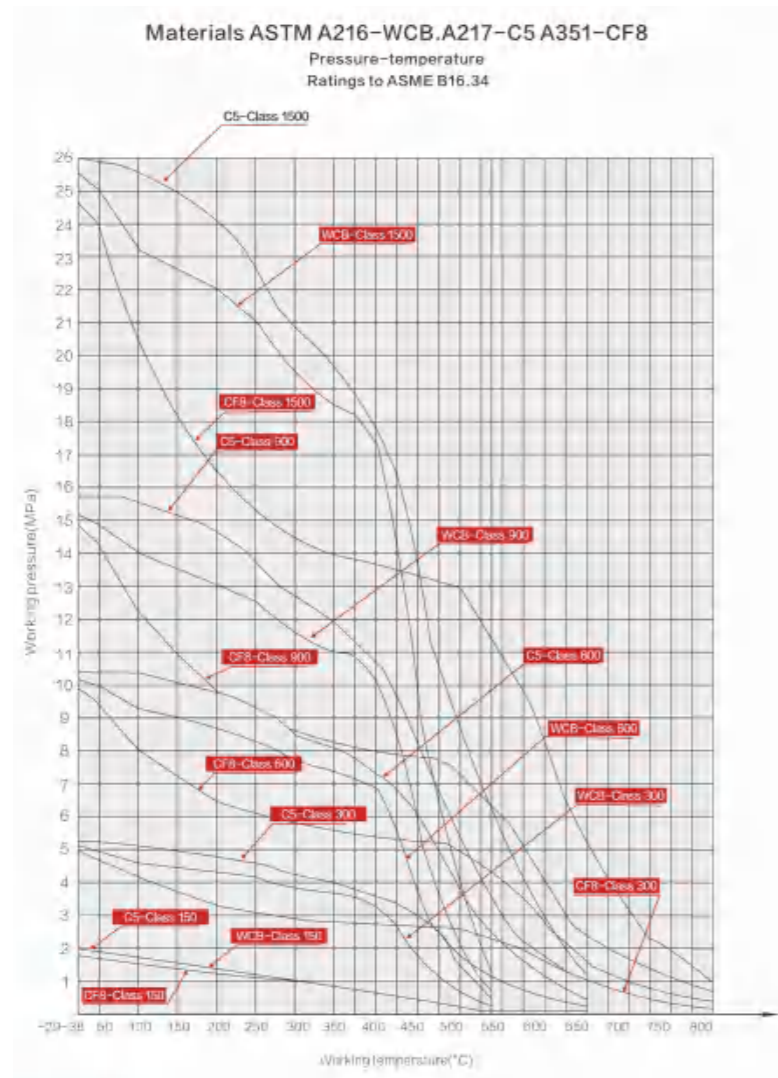
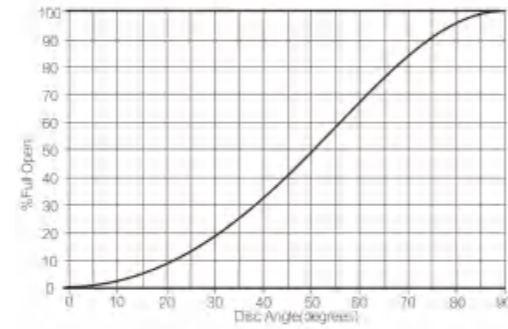
## Universal Mounting

Actuator Mounting Plate and Stem Connection conform to ISO5211.

# PRESSURE AND TEMPERATURE RANGE DIAGRAM

## Typical Flow Characteristics

For control applications a wide variety of actuators and accessories can be provided. At moderate pressure drop conditions, turndown approaching 100 to 1 can be achieved because of the camming action of the disc opening. The disc lifts off the seat very quickly and an equal percentage control curve is produced between 15° to 75°.



# TORQUE TABLE

SIZE		MPA					
		0.6	1.0	1.6	2.5	4.0	6.3
DN/mm	NPS/in	TORQUE					
50	2	25	29	37	59	83	127
65	2 1/2	29	35	60	82	106	142
80	3	34	57	81	102	148	290
100	4	61	102	141	180	256	526
125	5	104	165	228	289	412	641
150	6	178	250	450	564	790	1060
200	8	201	400	601	800	1202	1567
250	10	353	518	956	1250	1862	2697
300	12	635	992	1352	1711	2428	3147
350	14	819	1623	2234	2844	4067	4855
400	16	1047	1944	2842	3738	5533	6473
450	18	1451	2451	3452	4412	6454	13450
500	20	2043	3285	4527	5769	8253	16943
600	24	2779	5548	6018	9495	13443	24586
700	28	3080	6331	6890	14200	22720	
750	30	3230	6723	7700	16552	26483	
800	32	3912	7307	8760	19847	31755	
900	36	5275	8474	9750	26438	36188	
1000	40	6915	11717	13560	35553	44113	
1050	42	8135	15253	16270	40110	51827	
1200	48	12540	20563	22360	38900	61962	
1350	54	18300	21806	29977			
1400	56	24650	26589	34900			
1500	60	26440	36155	43397			
1600	64	40850	43375	48600			

# HIGH PERFORMANCE THREE ECCENTRIC ALL METAL BIDIRECTIONAL BUTTERFLY VALVE



Butt weld type



Wafer type

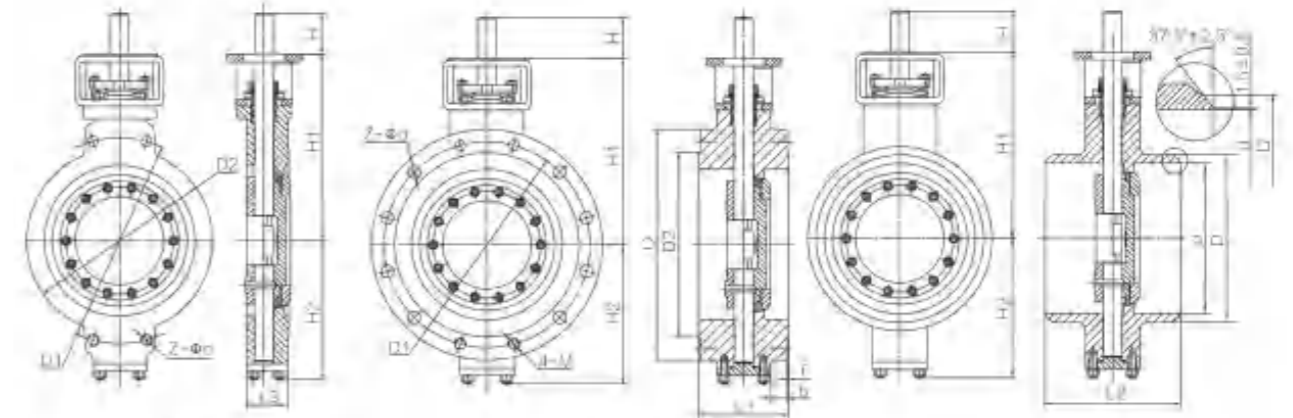


Double flanged type



Lug type

# THREE ECCENTRIC ALL METAL BIDIRECTIONAL BUTTERFLY VALVE



Wafer type

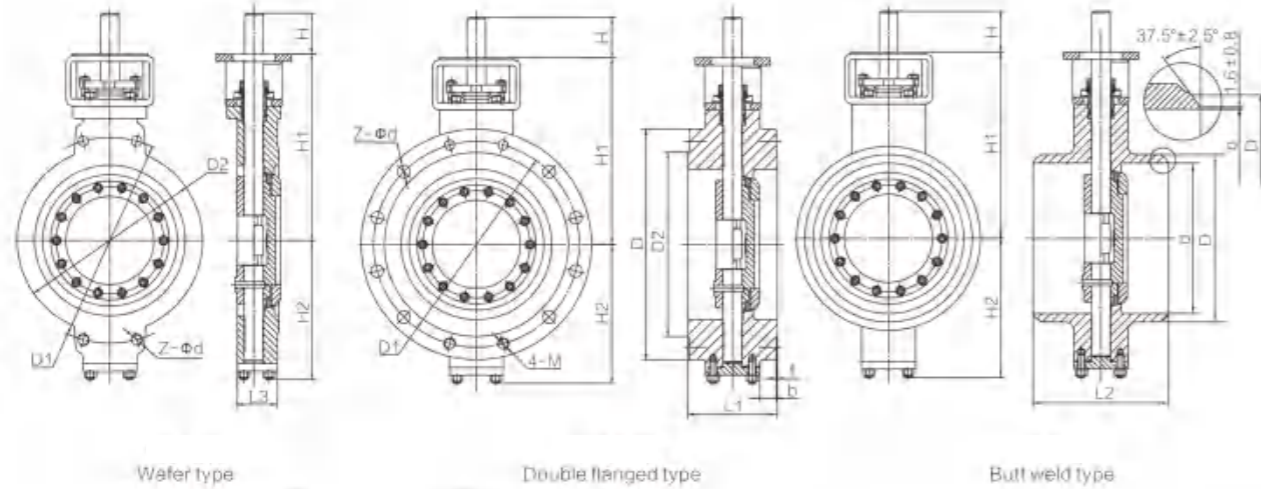
Double flanged type

Butt weld type

主要连接尺寸 (PN1.0 MPa)  
Main connecting dimensions

公称直径 Nominal diameter	L1	L2	L3	D	D1	D2	b	f	Z-φd	M	N	d1	Dn	H1	H2	H
PN1.0 (MPa)																
DN50	108	150	43	185	125	102	20	2	4-φ18	16	4	47	57	193	94	20
DN80	114	180	49	200	160	138	20	2	4-φ18	16	8	78	90	221	118	25
DN100	127	190	56	220	180	158	22	2	4-φ18	16	8	96	110	243	130	30
DN125	140	200	64	250	210	188	22	2	4-φ18	16	8	121	135	261	163	35
DN150	140	210	70	285	240	212	24	2	4-φ22	20	8	146	161	273	166	40
DN200	152	230	71	340	295	258	24	2	4-φ27	20	8	202	222	309	198	45
DN250	165	250	76	395	350	320	26	2	8-φ22	20	12	245	278	337	235	50
DN300	178	270	83	445	400	370	26	2	8-φ22	20	12	303	330	382.5	274.5	67
DN350	190	290	92	505	460	430	26	2	12-φ22	20	16	351	382	435	314	81
DN400	216	310	102	565	515	482	26	2	12-φ26	24	16	398	432	457	344	87
DN450	222	330	114	615	565	532	28	2	16-φ26	24	20	460	484	510	369	98
DN500	229	350	127	670	620	585	28	2	16-φ26	24	20	501	535	579	410.5	105
DN600	267	390	154	780	725	685	34	2	16-φ30	27	20	602	636	635	472.5	117
DN700	292	430	165	895	840	800	34	5	20-φ30	27	24	692	726	671	529.5	117
DN800	318	470	190	1015	950	905	36	5	20-φ32	30	24	792	826	800	648	120
DN900	330	510	200	1116	1050	1005	38	5	24-φ32	30	28	892	926	862	708.2	128
DN1000	410	550	216	1230	1160	1110	38	5	24-φ36	33	28	992	1028	955	766.2	170
DN1200	470	630	275	1455	1380	1330	44	5	28-φ36	36	30	1192	1228	1088	884	182
DN1400	530	710	390	1675	1590	1535	48	5	32-φ42	39	36	1392	1428	1188	1022	202
DN1600	600	790	440	1915	1820	1760	52	5	36-φ48	45	40	1592	1628	1227	1095	245
DN1800	670	870	490	2115	2020	1960	56	5	40-φ48	45	44	1792	1828	1300	1165	245
DN2000	760	950	540	2325	2230	2170	60	5	44-φ48	45	48	1992	2028	1390	1280	245

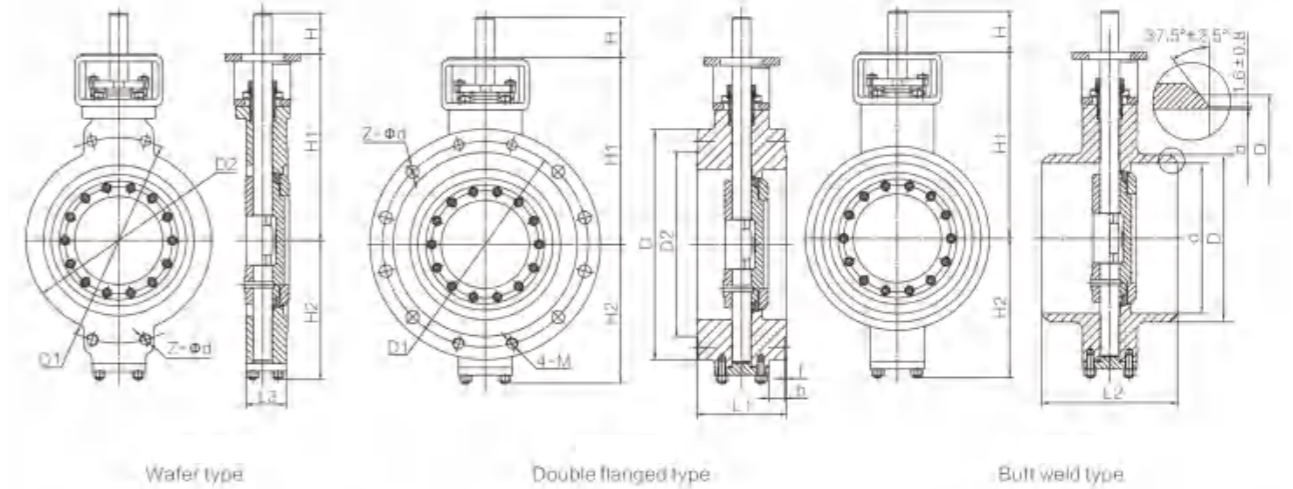
# THREE ECCENTRIC ALL METAL BIDIRECTIONAL BUTTERFLY VALVE



主要连接尺寸 (PN1.6 MPa)  
Main connecting dimensions

公称通径 Nominal diameter	L1	L2	L3	D	D1	D2	b	f	N	Z-φd	M	d1	Dn	H1	H2	H
PN1.6 (MPa)																
DN50	108	150	43	165	125	102	20	2	4	4-φ18	16	47	57	193	94	20
DN80	114	180	49	200	160	138	20	2	8	4-φ18	16	78	90	221	118	25
DN100	127	190	56	220	180	158	22	2	8	4-φ18	16	96	110	243	130	30
DN125	140	200	64	250	210	188	22	2	8	4-φ18	16	121	135	261	153	35
DN150	140	210	70	285	240	212	24	2	8	4-φ22	20	146	161	273	165	40
DN200	152	230	71	340	295	268	24	2	12	8-φ22	20	202	222	309	198	45
DN250	165	250	76	405	355	320	26	2	12	8-φ26	24	245	278	337	235	50
DN300	178	270	83	460	410	378	28	2	12	8-φ26	24	303	330	382.5	274.5	67
DN350	190	290	92	520	470	438	30	2	16	12-φ26	24	351	382	435	314	81
DN400	216	310	102	580	525	490	32	2	16	12-φ30	27	398	432	457	344	87
DN450	222	330	114	640	585	550	34	2	20	16-φ30	27	450	484	510	369	98
DN500	229	350	127	715	650	610	36	2	20	16-φ33	30	501	535	579	410.5	105
DN600	267	390	154	840	770	725	38	2	20	16-φ36	33	602	636	635	472.5	117
DN700	292	430	165	910	840	795	40	5	24	20-φ36	33	692	726	671	529.5	117
DN800	318	470	190	1025	950	900	42	5	24	20-φ39	36	792	826	800	648	120
DN900	330	510	200	1125	1050	1000	44	5	28	24-φ39	36	892	926	862	708.2	128
DN1000	410	550	216	1255	1170	1115	46	5	28	24-φ42	39	992	1028	955	766.2	170
DN1200	470	630	276	1485	1390	1330	52	5	32	28-φ48	45	1192	1228	1088	884	182
DN1400	530	710	390	1685	1590	1530	58	5	36	32-φ48	45	1392	1428	1188	1022	202
DN1600	600	790	440	1930	1820	1750	64	5	40	36-φ55	52	1592	1628	1227	1095	245
DN1800	670	870	490	2130	2020	1950	68	5	44	40-φ55	52	1792	1828	1300	1165	245
DN2000	760	950	540	2345	2230	2150	70	5	48	44-φ60	56	1992	2028	1390	1280	245

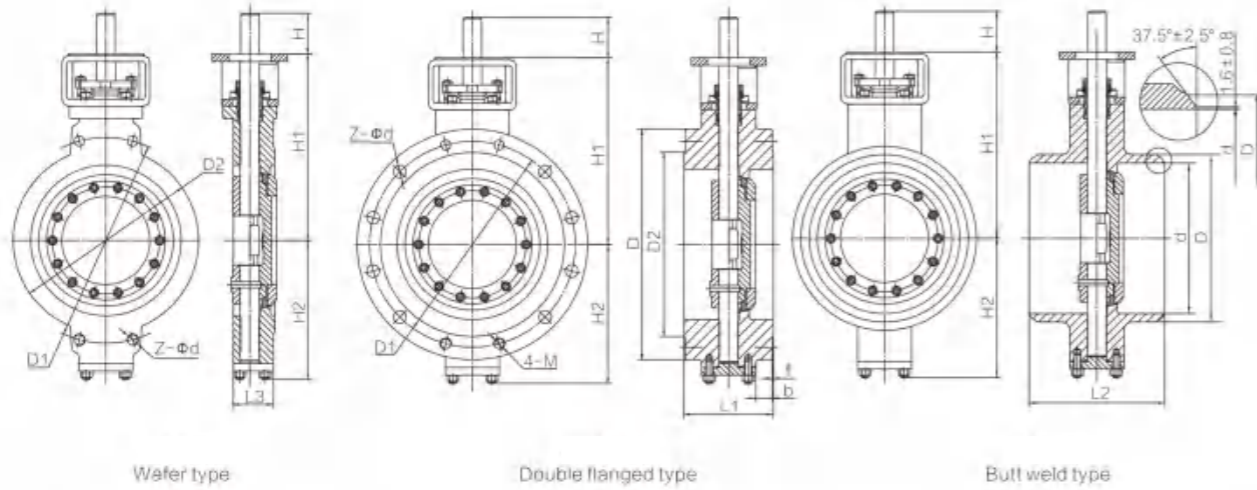
# THREE ECCENTRIC ALL METAL BIDIRECTIONAL BUTTERFLY VALVE



主要连接尺寸 (PN2.5 MPa)  
Main connecting dimensions

公称通径 Nominal diameter	L1	L2	L3	D	D1	D2	b	f	N	Z-φd	M	d1	Dn	H1	H2	H
PN2.5 (MPa)																
DN50	108	150	43	165	125	102	20	2	4	4-φ18	16	47	57	193	94	20
DN80	114	180	49	200	160	138	24	2	8	4-φ18	16	78	90	221	118	25
DN100	127	190	56	235	190	162	24	2	8	4-φ22	20	96	110	243	130	30
DN125	140	200	64	270	220	188	26	2	8	4-φ26	24	121	135	261	153	35
DN150	140	210	70	300	250	218	28	2	8	4-φ26	24	146	161	273	165	40
DN200	152	230	71	360	310	278	30	2	12	8-φ26	24	202	222	309	198	45
DN250	165	250	76	425	370	335	32	2	12	8-φ30	27	245	278	337	235	50
DN300	178	270	83	485	430	395	34	2	16	12-φ30	27	303	330	382.5	274.5	67
DN350	190	290	92	555	490	450	38	2	16	12-φ33	30	351	382	435	314	81
DN400	216	310	102	620	550	505	40	2	16	12-φ36	33	398	432	457	344	87
DN450	222	330	114	670	600	555	46	2	20	16-φ36	33	450	484	510	369	98
DN500	229	350	127	730	660	615	48	2	20	16-φ36	33	501	535	579	410.5	105
DN600	267	390	154	845	770	720	58	2	20	16-φ39	36	602	636	635	472.5	117
DN700	292	430	165	960	875	820	50	5	24	20-φ42	39	692	726	671	529.5	117
DN800	318	470	190	1085	990	930	54	5	24	20-φ48	45	792	826	800	648	120
DN900	330	510	200	1185	1090	1030	58	5	28	24-φ48	45	892	926	862	708.2	128
DN1000	410	550	216	1320	1210	1140	62	5	28	24-φ55	52	992	1028	955	766.2	170
DN1200	470	630	276	1530	1420	1350	70	5	32	28-φ55	52	1192	1228	1088	884	182
DN1400	530	710	390	1755	1640	1560	76	5	36	32-φ60	56	1392	1428	1171	985	245
DN1600	600	790	440	1975	1860	1780	84	5	40	36-φ60	56	1592	1628	1237	1075	245
DN1800	670	870	490	2195	2070	1985	90	5	44	40-φ68	64	1792	1828	1390	1190	245
DN2000	760	950	540	2425	2300	2210	96	5	48	44-φ68	64	1992	2028	1515	1305	245

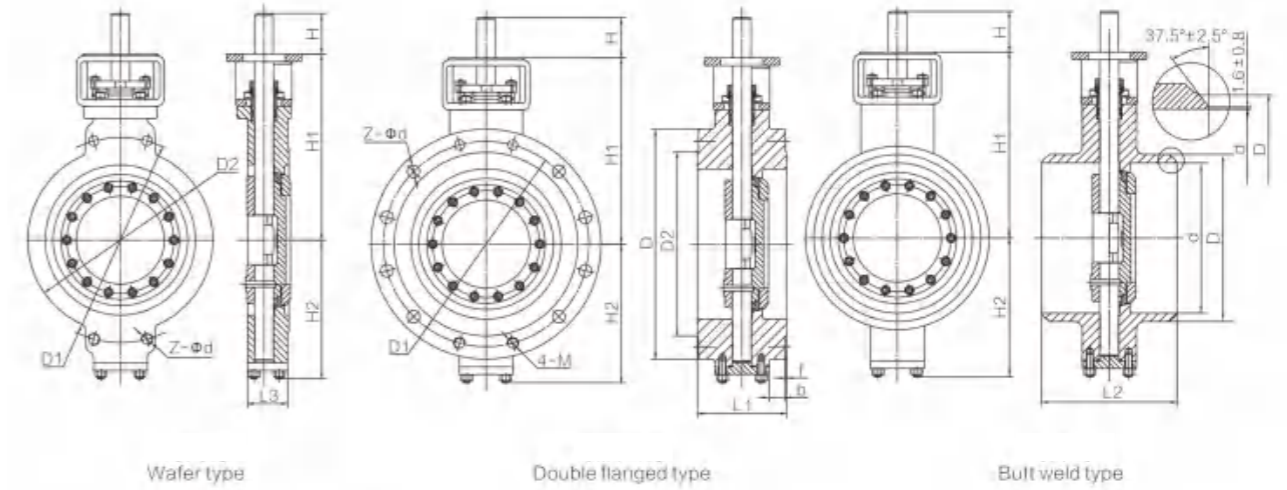
# THREE ECCENTRIC ALL METAL BIDIRECTIONAL BUTTERFLY VALVE



主要连接尺寸 (PN4.0MPa)  
Main connecting dimensions

公称通径 Nominal diameter	L1	L2	L3	D	D1	D2	b	f	N	Z-φd	M	d1	Dn	H1	H2	H
PN4.0 (MPa)																
DN50	150	150	43	165	125	102	20	2	4	4-φ18	16	47	57	135	120	30
DN80	180	180	49	200	160	138	24	2	8	4-φ18	16	78	90	165	135	34
DN100	190	190	56	235	190	162	24	2	8	4-φ22	20	96	110	204	155	34
DN125	200	200	64	270	220	188	26	2	8	4-φ26	24	120	135	230	175	34
DN150	210	210	70	300	250	218	28	2	8	4-φ26	24	145	161	270	195	64
DN200	230	230	71	375	320	285	34	2	12	8-φ30	27	200	222	304	235	64
DN250	250	250	76	450	385	345	38	2	12	8-φ33	30	252	278	319	275	79
DN300	270	270	83	515	450	410	42	2	16	12-φ33	30	301	330	409	310	79
DN350	290	290	127	580	510	465	46	2	16	12-φ36	33	351	382	499	350	109
DN400	310	310	140	660	585	535	50	2	16	12-φ39	36	398	432	515	400	109
DN450	330	330	160	685	610	560	57	2	20	16-φ39	36	448	484	486	410	109
DN500	350	350	170	755	670	615	57	2	20	16-φ42	39	495	535	531	455	129
DN600	390	390	200	890	795	735	72	2	20	16-φ48	45	595	636	629	530	129

# THREE ECCENTRIC ALL METAL BIDIRECTIONAL BUTTERFLY VALVE

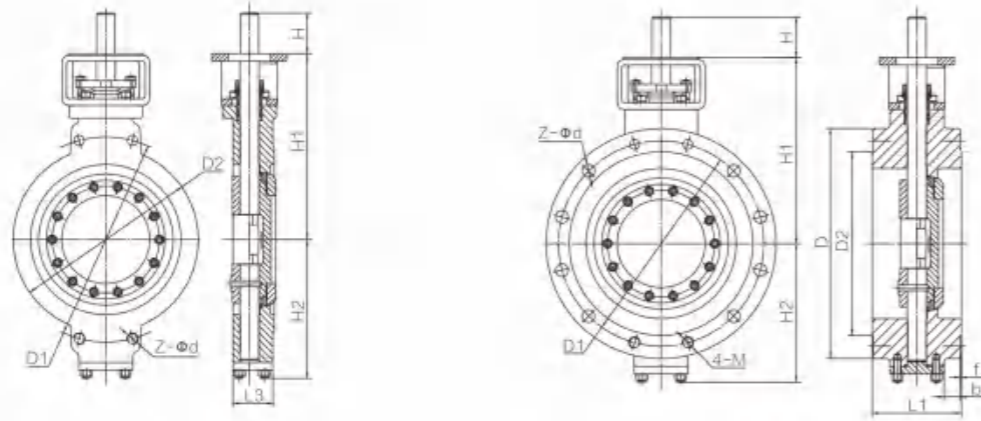


主要连接尺寸 (PN6.3MPa)  
Main connecting dimensions

公称通径 Nominal diameter	L1	L2	L3	D	D1	D2	b	f	N	Z-φd	M	d1	Dn	H1	H2	H
PN6.3 (MPa)																
DN50	150	150	43	180	135	102	26	2	4	4-φ22	20	47	57	135	120	30
DN80	180	180	64	215	170	138	28	2	8	4-φ22	20	77	90	175	145	34
DN100	190	190	64	250	200	162	30	2	8	4-φ26	24	94	110	214	165	34
DN125	200	200	70	295	240	188	34	2	8	4-φ30	27	118	135	250	195	64
DN150	210	210	76	345	280	218	36	2	8	4-φ33	30	142	161	300	225	64
DN200	230	230	89	415	345	285	42	2	12	8-φ36	33	198	222	334	265	79
DN250	250	250	114	470	400	345	46	2	12	8-φ36	33	246	278	339	295	79
DN300	270	270	114	530	460	410	52	2	16	12-φ36	33	294	330	424	325	109
DN350	290	290	127	600	525	465	56	2	16	12-φ39	36	342	382	414	365	109
DN400	310	310	140	670	585	535	60	2	16	12-φ42	39	368	432	520	405	129
DN500	350	350	170	800	705	615	68	2	20	16-φ48	45	485	535	556	480	129
DN600	390	390	200	930	820	735	76	2	20	16-φ56	52	585	636	654	555	179



# THREE ECCENTRIC ALL METAL BIDIRECTIONAL BUTTERFLY VALVE



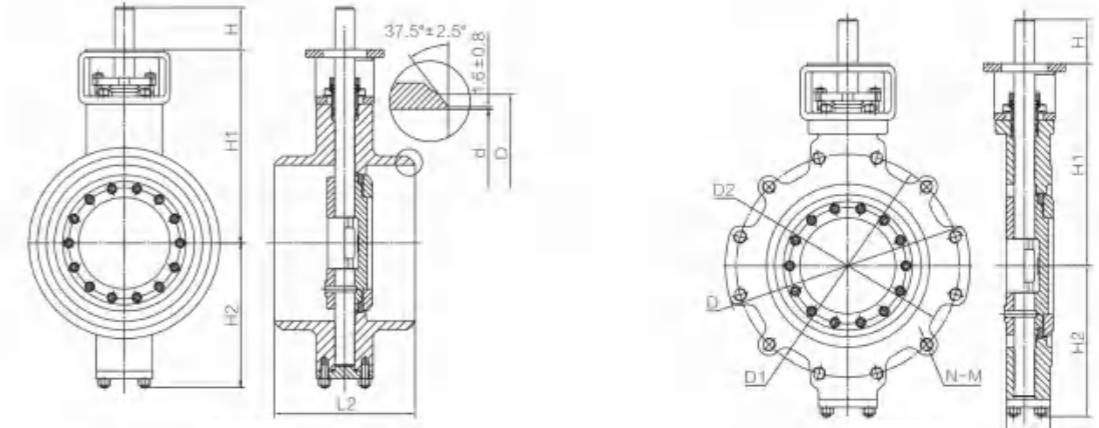
Wafer type

Double flanged type

## 主要连接尺寸 (PN10.0MPa) Main connecting dimensions

公称通径 Nominal diameter	L1	L2	L3	D	D1	D2	b	f	N	Z-φd	M	d1	Dn	H1	H2	H
DN(mm)	PN10.0 (MPa)															
DN50	150	150	43	195	145	102	28	2	4	4-φ26	24	47	57	175	125	40
DN80	180	180	64	230	180	138	32	2	8	4-φ26	24	75	90	165	135	34
DN100	190	190	64	265	210	162	36	2	8	4-φ30	27	92	110	194	145	34
DN125	200	200	70	315	250	188	40	2	8	4-φ33	30	112	135	215	160	34
DN150	210	210	76	355	290	218	44	2	12	8-φ33	30	136	161	255	180	34
DN200	230	230	89	430	360	285	52	2	12	8-φ36	33	190	222	279	210	64
DN250	250	250	114	505	430	345	60	2	12	8-φ39	36	236	278	294	240	64
DN300	270	270	114	585	500	410	68	2	16	12-φ42	39	284	330	330	265	79
DN350	290	290	127	655	560	465	74	2	16	12-φ48	45	332	382	370	295	79
DN400	310	310	140	715	620	535	82	2	16	12-φ48	45	376	432	460	330	79
DN500	350	350	170	870	780	615	94	2	20	16-φ56	52	475	535	496	385	109
DN600	390	390	200	990	875	735	102	2	20	16-φ62	56	575	636	584	440	109

# THREE ECCENTRIC ALL METAL BIDIRECTIONAL BUTTERFLY VALVE



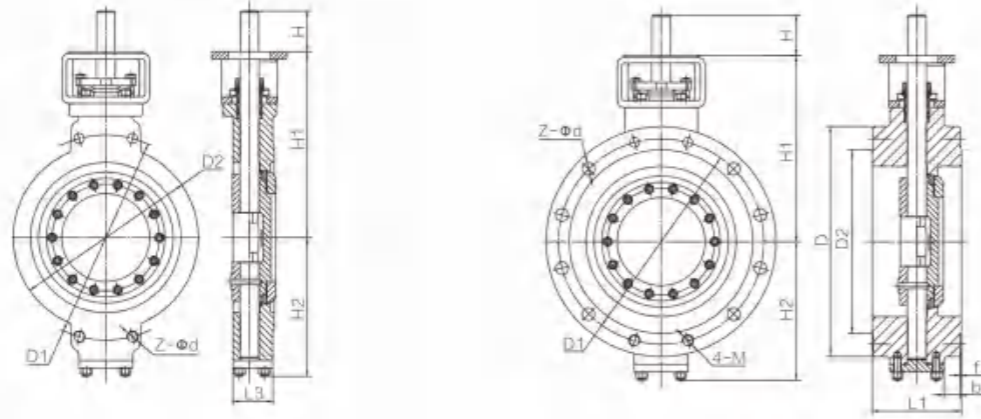
Butt weld type

Lug type

## 主要连接尺寸 (150LB) Main connecting dimensions

公称通径 Nominal diameter	L1	L2	L3	D	D1	D2	b(Min)	f	N	Z-φd	M(in)	d1	Dn	H1	H2	H
in mm	150LB															
2" DN50	108	150	43	150	120.7	92.1	17.5	2	4	4-φ19	5/8-11UNC-2B	52.5	60.3	193	94	20
3" DN80	114	180	48	190	152.4	127	22.3	2	4	4-φ19	5/8-11UNC-2B	77.9	88.9	221	118	25
4" DN100	127	190	54	230	190.5	157.2	22.3	2	8	4-φ19	5/8-11UNC-2B	102.3	114.3	243	130	30
5" DN125	140	200	56	255	245.9	185.7	22.3	2	8	4-φ22	3/4-10UNC-2B	128.2	139.7	261	153	35
6" DN150	140	210	57	280	241.3	215.9	23.9	2	8	4-φ22	3/4-10UNC-2B	154.1	168.3	273	165	40
8" DN200	152	230	64	345	298.5	269.9	27	2	8	4-φ22	3/4-10UNC-2B	202.7	219.1	309	198	45
10" DN250	165	250	71	405	362	323.8	28.6	2	12	8-φ26	7/8-9UNC-2B	254.5	273	337	235	50
12" DN300	178	270	81	485	431.8	381	30.2	2	12	8-φ26	7/8-9UNC-2B	304.8	323.9	382.5	274.5	67
14" DN350	190	290	92	535	476.3	412.8	33.4	2	12	8-φ29	1-8UNC-2B	336.6	355.6	435	314	81
16" DN400	216	310	102	595	539.8	469.9	35	2	16	12-φ29	1-8UNC-2B	387.4	406.4	457	344	87
18" DN450	222	330	114	635	577.9	533.4	38.1	2	16	12-φ32	1-1/8-8UNC-2B	434.9	457	510	369	98
20" DN500	229	350	127	700	635	584.2	41.3	2	20	16-φ32	1-1/8-8UNC-2B	482.6	508	579	410.5	105
24" DN600	267	390	154	815	749.3	692.2	46.1	2	20	16-φ35	1-1/4-8UNC-2B	581.1	610	635	472.5	117
28" DN700	292	430	229	925	863.3	800	69.9	2	28	24-φ35	1-1/4-8UNC-2B	672.7	711.2	671	529.5	117
32" DN800	318	470	241	1060	977.9	914	79.4	2	28	24-φ42	1-1/2-8UNC-2B	770.7	812.8	800	648	120
36" DN900	330	510	241	1170	1085.8	1022	88.9	2	32	28-φ42	1-1/2-8UNC-2B	869.3	914.4	862	708.2	128
40" DN1000	410	550	300	1290	1200.2	1124	88.9	2	36	32-φ42	1-1/2-8UNC-2B	967.3	1016	955	766.2	170
48" DN1200	470	630	360	1510	1422.4	1359	106.4	2	44	40-φ42	1-1/2-8UNC-2B	1164	1219.2	1088	884	182

# THREE ECCENTRIC ALL METAL BIDIRECTIONAL BUTTERFLY VALVE



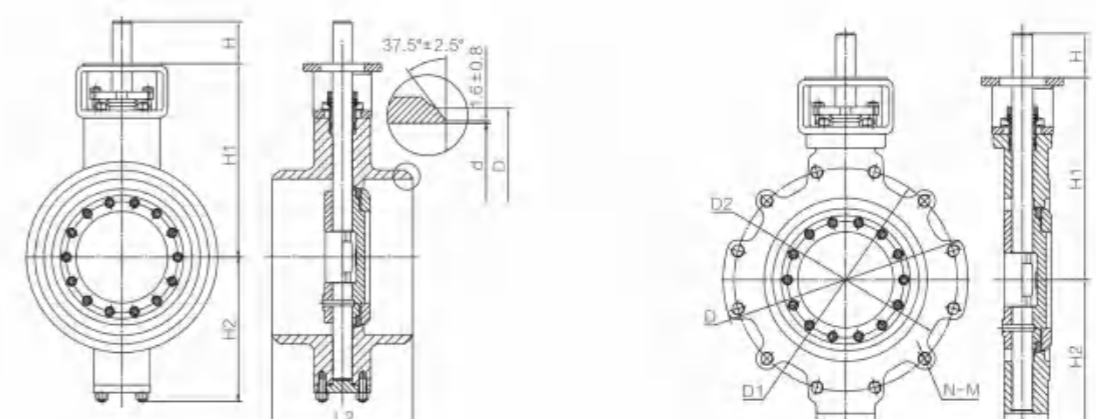
Wafer type

Double flanged type

## 主要连接尺寸 (300LB) Main connecting dimensions

公称通径 Nominal diameter	L1	L2	L3	D	D1	D2	b(Min)	f	N	Z-φd	M(in)	d1	Dn	H1	H2	H
in mm	300LB															
2" DN50	150	150	43	165	127	92.1	20.7	2	8	4-φ19	5/8-11UNC-2B	52.5	60.3	135	120	30
3" DN80	180	180	48	210	168.3	127	27	2	8	4-φ22	3/4-10UNC-2B	77.9	88.9	159	145	34
4" DN100	190	190	54	255	200	157.2	30.2	2	8	4-φ22	3/4-10UNC-2B	102.3	114.3	194	165	34
5" DN125	200	200	56	280	235	185.7	33.4	2	8	4-φ22	3/4-10UNC-2B	128.2	139.7	269	200	64
6" DN150	210	210	59	320	269.9	215.9	35	2	12	8-φ22	3/4-10UNC-2B	154.1	168.3	269	200	64
8" DN200	230	230	73	380	330.2	269.9	39.7	2	12	8-φ26	7/8-9UNC-2B	202.7	219.1	285	235	79
10" DN250	250	250	83	445	387.4	323.8	46.1	2	16	12-φ29	1-8UNC-2B	254.5	273	325	275	79
12" DN300	270	270	92	520	450.8	381	49.3	2	16	12-φ32	1-1/8-8UNC-2B	304.8	323.9	387	315	79
14" DN350	290	290	117	585	514.4	412.8	52.4	2	20	16-φ32	1-1/8-8UNC-2B	336.6	355.6	410	350	79
16" DN400	310	310	133	650	571.5	469.9	55.6	2	20	16-φ35	1-1/4-8UNC-2B	387.4	406.4	465	385	109
18" DN450	330	330	149	710	628.6	533.4	58.8	2	24	20-φ35	1-1/4-8UNC-2B	434.9	457	528	415	109
20" DN500	350	350	159	775	685.8	584.2	62	2	24	20-φ35	1-1/4-8UNC-2B	482.6	508	561	450	129
24" DN600	390	390	181	915	812.8	692.2	68.3	2	24	20-φ42	1-1/2-8UNC-2B	581.1	610	636	530	129
28" DN700	430	430	229	1035	939.8	800	84.2	2	28	24-φ45	1-5/8-8UNC-2B	672.7	711.2	800	590	199
32" DN800	470	470	241	1150	1054.1	914	96.9	2	28	24-φ52	1-7/8-8UNC-2B	770.7	812.8	860	720	199
36" DN900	510	510	241	1270	1168.4	1022	103.2	2	32	28-φ54	2-8UNC-2B	869.3	914.4	940	780	199
40" DN1000	550	550	300	1240	1155.7	1086	112.8	2	32	28-φ45	1-5/8-8UNC-2B	967.3	1016	910	750	199
48" DN1200	630	630	360	1465	1371.6	1302	131.8	2	32	28-φ52	1-7/8-8UNC-2B	1164	1219.2	1000	850	249

# THREE ECCENTRIC ALL METAL BIDIRECTIONAL BUTTERFLY VALVE



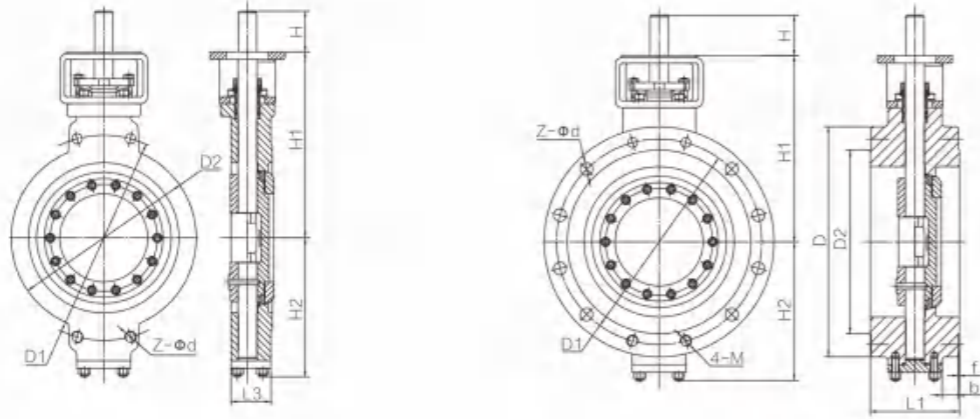
Butt weld type

Lug type

## 主要连接尺寸 (600LB) Main connecting dimensions

公称通径 Nominal diameter	L1	L2	L3	D	D1	D2	b(Min)	f	N	Z-φd	M(in)	d1	Dn	H1	H2	H
in mm	600LB															
2" DN50	150	150	43	165	127	92.1	25.4	7	8	4-φ19	5/8-11UNC-2B	52.5	60.3	175	125	40
3" DN80	180	180	54	210	168.3	127	31.8	7	8	4-φ22	3/4-10UNC-2B	77.9	88.9	202	145	44
4" DN100	190	190	64	275	215.9	157.2	38.1	7	8	4-φ26	7/8-9UNC-2B	102.3	114.3	208	180	44
5" DN125	200	200	70	330	266.7	185.7	44.5	7	8	4-φ29	1-8UNC-2B	128.2	139.7	235	210	79
6" DN150	210	210	78	355	292.1	215.9	47.7	7	12	8-φ29	1-8UNC-2B	154.1	168.3	302	225	79
8" DN200	230	230	102	420	349.2	269.9	55.6	7	12	8-φ32	1-1/8-8UNC-2B	198.5	219.1	315	265	79
10" DN250	250	250	117	510	431.8	323.8	63.5	7	16	12-φ35	1-1/4-8UNC-2B	247.7	273	376	310	79
12" DN300	270	270	140	560	489	381	66.7	7	20	16-φ35	1-1/4-8UNC-2B	295.3	323.9	442	340	109
14" DN350	290	290	155	605	527	412.8	69.9	7	20	16-φ39	1-3/8-8UNC-2B	325.4	355.6	457	365	109
16" DN400	310	310	178	685	603.2	469.9	76.2	7	20	16-φ42	1-1/2-8UNC-2B	363.5	406.4	561	410	129
18" DN450	330	330	200	745	654	533.4	82.6	7	20	16-φ45	1-5/8-8UNC-2B	409.5	457	610	450	129
20" DN500	350	350	216	815	723.9	584.2	88.9	7	24	20-φ45	1-5/8-8UNC-2B	455.6	508	645	485	129
24" DN600	390	390	232	940	838.2	692.2	101.6	7	24	20-φ52	1-7/8-8UNC-2B	547.7	610	730	555	178

## THREE ECCENTRIC ALL METAL BIDIRECTIONAL BUTTERFLY VALVE



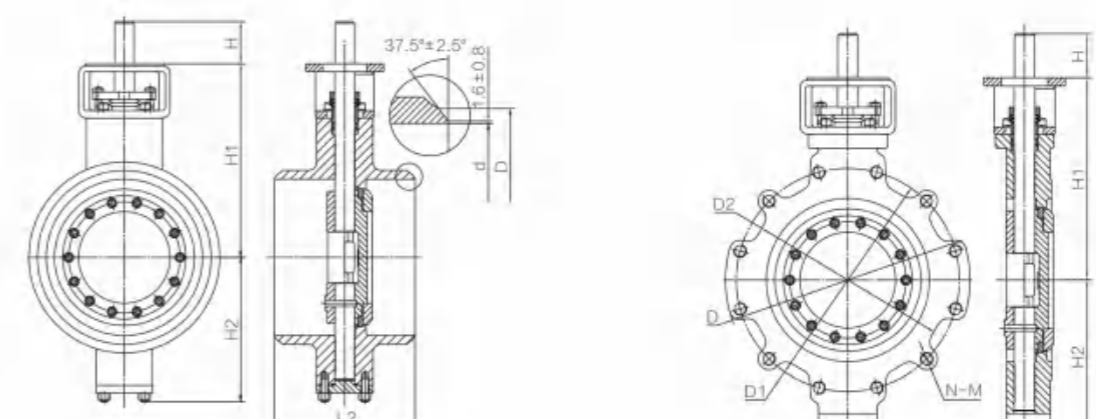
Wafer type

Double flanged type

### 主要连接尺寸 (900LB) Main connecting dimensions

公称通径 Nominal diameter	L1	L2	L3	D	D1	D2	b(Min)	f	N	Z-φd	M(in)	d1	Dn	H1	H2	H
in mm	900LB															
4" DN100	235	235	80	290	235	157.2	44.5	7	8	4-φ32	1-1/8-8UN-2B	77.9	88.9	240	181	64
6" DN150	250	250	104	380	317.5	215.9	55.6	7	12	8-φ32	1-1/8-8UN-2B	102.3	114.3	315	238	79
8" DN200	310	310	112	470	393.7	269.9	63.5	7	12	8-φ39	1-3/8-8UN-2B	128.2	139.7	360	281	79
10" DN250	350	350	135	545	469.9	323.8	69.9	7	16	12-φ39	1-3/8-8UN-2B	154.1	168.3	412	358	109
12" DN300	380	380	170	610	533.4	381	79.4	7	20	16-φ39	1-3/8-8UN-2B	198.5	219.1	475	383	109
14" DN350	400	400	173	640	558.8	412.8	85.8	7	20	16-φ42	1-1/2-8UN-2B	247.7	273	512	419	128
16" DN400	430	430	210	705	616	469.9	88.9	7	20	16-φ45	1-5/8-8UN-2B	295.3	323.9	610	455	129
18" DN450	460	460	228	785	685.8	533.4	101.6	7	20	16-φ52	1-7/8-8UN-2B	325.4	355.6	660	503	178
20" DN500	490	490	250	855	749.3	584.2	108	7	20	16-φ54	2-8UN-2B	363.5	406.4	685	550	178
24" DN600	530	530	275	1040	901.7	692.2	139.7	7	20	16-φ67	2-1/2-6UN-2B	409.5	457	790	656	199

## THREE ECCENTRIC ALL METAL BIDIRECTIONAL BUTTERFLY VALVE



Butt weld type

Lug type

### 主要连接尺寸 (1500LB) Main connecting dimensions

公称通径 Nominal diameter	L1	L2	L3	D	D1	D2	b(Min)	f	N	Z-φd	M(in)	d1	Dn	H1	H2	H
in mm	1500LB															
6" DN150	290	290	160	395	317.5	215.9	82.6	7	12	8-φ39	1-3/8-8UN-2B	102.3	114.3	347	257	109
8" DN200	330	330	180	485	393.7	269.9	92.1	7	12	8-φ45	1-5/8-8UN-2B	128.2	139.7	405	307	109
10" DN250	390	390	200	585	482.6	323.8	108	7	12	8-φ52	1-7/8-8UN-2B	154.1	168.3	510	371	129
12" DN300	430	430	230	675	571.5	381	123.9	7	16	12-φ54	2-8UN-2B	198.5	219.1	545	414	129
14" DN350	470	470	250	750	635	412.8	133.4	7	16	12-φ61	2-1/4-8UN-2B	247.7	273	610	493	178
16" DN400	510	510	265	825	704.8	469.9	146.1	7	16	12-φ67	2-1/2-6UN-2B	295.3	323.9	655	530	199
18" DN450	550	550	300	915	774.7	533.4	162	7	16	12-φ74	2-3/4-6UN-2B	325.4	355.6	750	591	199
20" DN500	630	630	340	985	831.8	584.2	177.8	7	16	12-φ80	3-6UN-2B	363.5	406.4	810	664	199
24" DN600	710	710	400	1170	990.6	692.2	203.2	7	16	12-φ94	3-1/2-6UN-2B	409.5	457	950	780	249



## With one-stop valve solutions.

### BUTTERFLY VALVE PLANT

Hunan Handa Fluid Intelligent Automation Technology Co., Ltd.

ADD:

Building 11, Phase III, Intelligent Manufacturing Industrial Park,  
Economic Development Zone, Anfu Street,  
Linli County, Changde City, Hunan Province

EMAIL: [Janny@handavalve.com](mailto:Janny@handavalve.com)

WEBSITE: [www.handavalve.com](http://www.handavalve.com)

[www.xmhanda.com](http://www.xmhanda.com)

### **SHANGHAI ROGERS VALVE CO.,LTD.**

### **BRAND ROVV HANDA**

### **ONE-STOP VALVE SOLUTION**

ADD:

BUILDING A379,NO.2LANE 158,GANGYEROAD XIAOKUNSHAN TOWN,SONGJIANG DISTRICT,  
SHANGHAI 201616,CHINA

TEL: +86 1360-6072-028

EMAIL: [Janny@rovv-valve.com](mailto:Janny@rovv-valve.com)

WEBSITE: [www.rovv-valve.com](http://www.rovv-valve.com)